

Date of Issue: May 2016

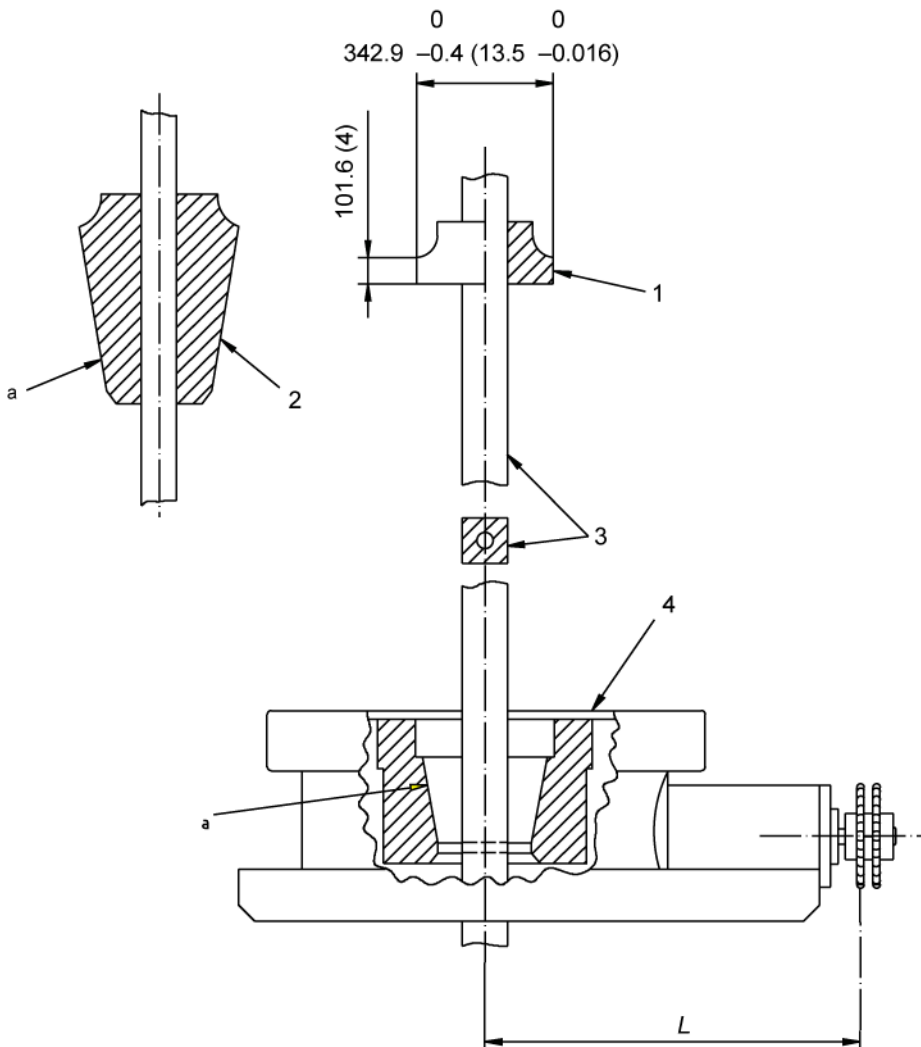
Affected Publication: API Specification 7K, *Drilling and Well Servicing Equipment*, Sixth Edition, December 2015

ERRATA 1

Page 10, Section 4.1, the second sentence shall be amended:

The design and minimum operating temperature for safety clamps, spiders, rotary slips, slip bowls, rotary bushings, rotary adapters, rotary slip systems, and manual tongs is $-20\text{ }^{\circ}\text{C}$ ($-4\text{ }^{\circ}\text{F}$), unless changed by a supplementary requirement.

Page 35, Figure 7 shall be replaced:



Page 38, Figure 9, the note shall be amended:

NOTE See 9.2.7, 9.3.2, 9.3.3, Table 7, and Table 8 for dimensions.

Page 44, Section 9.6.2, the first sentence of the second paragraph shall be amended:

Components shall be made from materials possessing a minimum impact toughness of 33 J (25 ft-lbs) at $-20\text{ }^{\circ}\text{C}$ ($-4\text{ }^{\circ}\text{F}$).

Page 68, Table 15, Pot Size 8, Valve Pot Dimension D shall be amended:

187.3

$7\frac{3}{8}$

Page 103, Annex B, Section B.1, shall be amended:

The temperature at any point in the working zone shall not vary by more than $\pm 14\text{ }^{\circ}\text{C}$ ($\pm 25\text{ }^{\circ}\text{F}$) from the furnace set-point temperature after the furnace working zone has been brought up to temperature. Furnaces used for tempering, aging, and/or PWHT shall not vary by more than $\pm 14\text{ }^{\circ}\text{C}$ ($\pm 25\text{ }^{\circ}\text{F}$) from the furnace set-point temperature after the furnace working zone has been brought up to temperature.

Page 104, Annex B, Section B.2.3 g), shall be amended:

Before the furnace set-point temperature is reached, none of the temperature readings shall exceed the set-point temperature by more than $14\text{ }^{\circ}\text{C}$ ($25\text{ }^{\circ}\text{F}$).